

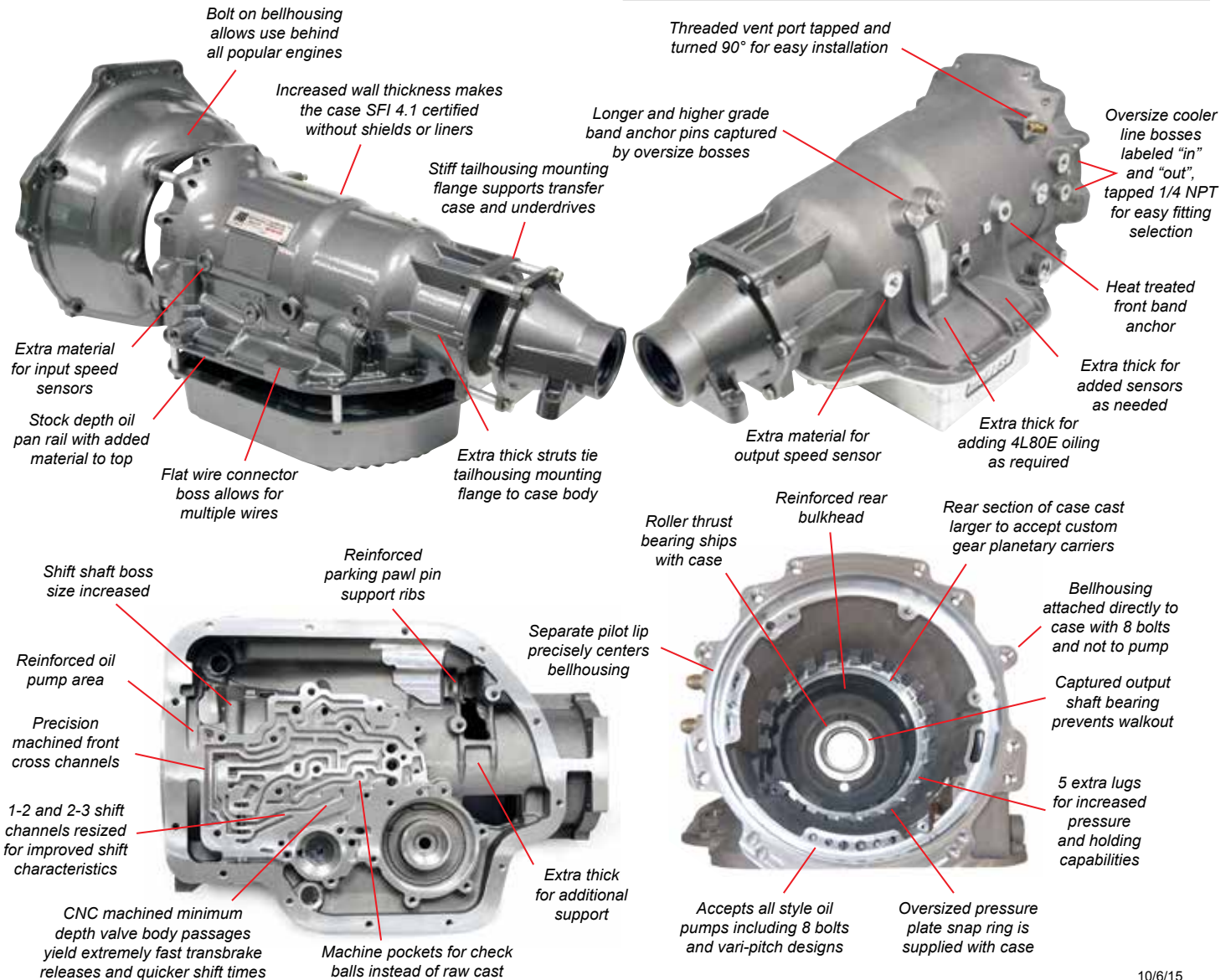
T400 SuperCase®

After two long years, from concept to finished part, ATI became the first company to design, produce, machine, assemble and run an aftermarket Turbo-Hydramatic 400, 3-speed transmission in a non-OEM case. Starting with laser scanning of OEM cases, and the use of original GM blueprints, ATI was able to create prototypes using the latest 3D polymer printing techniques to ensure final castings were able to offer all the benefits of a brand new high performance cast aluminum case, while retaining the specs and measurements of GM's original TH400.

The 356-T6 aluminum casting is produced in the United States, and 100% machined in-house on ATI's new dedicated Horizontal CNC machines. The stronger casting can handle more horsepower and significantly more line pressure over the OEM case, and it's SFI-certified, eliminating the need for external or internal scatter shields. It's unique 3-piece design allows it to accept any of ATI's SFI bell housings for GM, Chrysler, Ford and Toyota, along with various other bell housings on the market.

The T400 SuperCase® was in test cars and winning races before it was ever released to the public in order to ensure flawless performance for our customers. The case was such an improvement over the OEM case, that when it debuted at the annual SEMA Show, it won SEMA's prestigious 2013 Best New Racing Product Award. When only the highest quality performance products are required, ATI has answered the call for over fifty years.

Part #	Description
400013	T400 SuperCase - Case Only
400013LW	T400 SuperCase - Case Only - Lightweight Case
400011	T400 SuperCase with Chevy Bell
400011LW	T400 SuperCase with Chevy Bell - Lightweight Case
401935	T400 SuperCase Tailhousing w/ roller bearing - OEM Length
401936	T400 SuperCase Tailhousing w/ roller bearing - PG Length
983044	T400 SuperCase Bearing
950320	Bolt Kit - ATI Bell to Case (6 bolts, 6 serrated washers)



Wicked Quick® Billet Aluminum Valve Bodies

- Picks up .02 to .05 seconds over conventional steel brakes on the tree!
- Direct bolt-on replacement
- Fully 5 Axis CNC-Machined
- Ultra Fast Fluid Release Brake
- Minimum flow restriction passages
- Patented Adjustable pressure regulator (Patent #7,780,564)



REVERSE MANUAL TRANSBRAKE VALVE BODY 403091 \$695.00
 REVERSE MANUAL TRANSBRAKE / CLEAN NEUTRAL 403091CN.... \$695.00

Aluminum Bolt-Together Super Pumps

ATI's PG and T400 aluminum Super Pumps feature a 3 piece design with a bolt-in, one-piece, steel stator tube for improved fluid routing, micro-finished coated gears, and ATI's exclusive hardened steel wear plates. At just 12 lbs, the ATI pump weighs 5 lbs less than an OEM unit. Available for OEM size Stator and Input as well as larger sizes for high HP apps.



SUPER PUMP, OEM SIZE SHAFT 405038..... \$695.00
 SUPER PUMP, LARGE SHAFT 405058..... \$745.00
 ADJUST. REGULATOR KIT
 ELIMINATES OEM BOOST VALVE, 185 PSI+ 405183..... \$89.95

T400 Aluminum Direct Drum with Severe Duty 36 Element Sprag

Part #407056

- Lightweight aluminum drum holds up to 8 .060 direct clutches with .060 steels
- 36 element intermediate sprag
- ATI manufactured, outer race machined to accept OEM T-400 clutches
- Custom machined pressure plate included and snap rings
- Will accept 6 intermediate clutches with thin steels
- Steel sleeve for added support
- Includes: ATI's Heavy Duty Center Support and a 4 Clutch Intermediate Pack (#405430)*
- Full one year warranty on sprag failure!

Others use smaller surface area 4T80E clutches! Don't be fooled!



Accepts OEM T400 intermediate clutches!

*Also Available:
 3 CLUTCH INTERMEDIATE PACK 405420
 5 CLUTCH INTERMEDIATE PACK 405431
 6 CLUTCH INTERMEDIATE PACK 405432
 407056 \$949.00

T400 "Big" Shaft and Forward Drum

Lightweight T400 steel drum with "Big" 1-3/16" diameter shaft and Billet Aluminum Piston for use with ATI's "Big" Shaft Super Pump Stator Tube and Plate assembly. 30 & 60 tooth input speed triggers available. #406002



Lightweight Pans

5 lbs lighter!
 Holds 5.9 Qts



Notched for additional cross member clearance!
 Pt #403612

Save some weight with a deep sheet-metal T400 pan! ATI stocks the standard Moroso T400 pan plus a custom (#403612) version featuring billet leak-free rails, 2 sensor ports, skid plate and cross-member cutout!

SFI Bell Housings



ATI offers a variety of SFI bells and adapter kits for both the PG and T400 SuperCase

100% Synthetic Super F® ATF

Proven by many leading racers, ATI's Super F® is .01-.02 quicker than conventional ATF. It's 100% synthetic and contains Type F friction modifiers for quicker, more positive shifts. It helps keep your trans and converter cooler for improved consistency. Comes in both quart or gallon containers!

