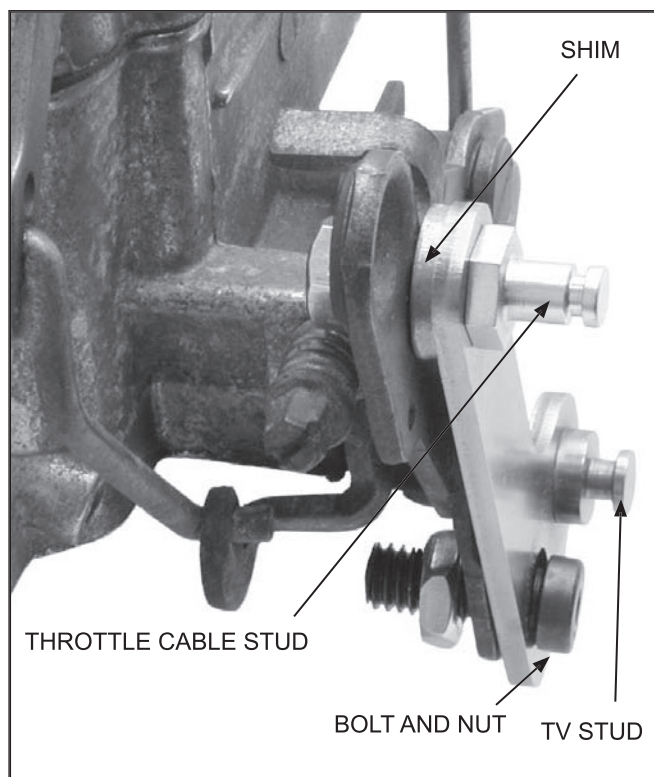


TV CABLE CORRECTOR KIT EDELBROCK/CARTER CARBURETOR

Part #702030

FOR CARBURETORS WITH A CLIP-ON
THROTTLE CABLE END

1. Disconnect the TV cable and throttle cable from the carburetor's linkage plate.
2. Align the two holes of the TV corrector plate with the two holes on the carburetor's linkage plate. Make sure the TV stud on the plate faces away from the carburetor, toward the bottom.
3. Place the flat washer included in the kit between the carburetor's linkage plate and the corrector plate. This will act as a shim for the new throttle cable stud.
4. Install the throttle cable stud included in the kit. **Do not tighten the nut yet!**
5. Install and tighten the supplied bolt and nut through both plates as shown. Tighten the throttle cable stud from step 4.
6. Attach both the TV cable and throttle cable. Adjust as needed.

Note!

This kit is designed for carburetors that use a clip-on throttle cable end. If your carburetor uses a ball-type throttle cable stud, you will have to get a ball-type stud with longer threads. You can find these at most performance shops. The TV cable stud provided in the kit is for 6 mm TV cable clips. If your TV cable uses a 5/16" clip, you will need to enlarge the clip to fit the TV cable stud.