

T-350 TRANSMISSION SHIELD

Part # 356610

1. Remove the 3 pan bolts as shown in Figures 1 and 2.
2. Position the brackets in place and secure with bolts included with the shield. Do not tighten bolts until the shield is in place!
3. Position the shield over the transmission and secure with 3/8" buttonhead bolts. Tighten all bolts at this time.
4. To install the pan strap: Place the strap firmly against the pan and mark the hole location in the brackets on to the strap and drill. If you have a stock pan, you should cut the excess from above the holes you just drilled.

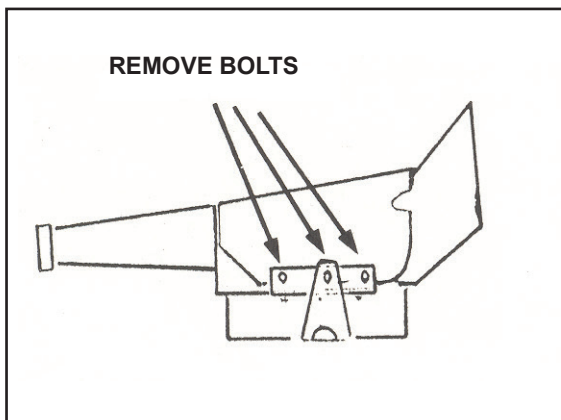


Figure 1

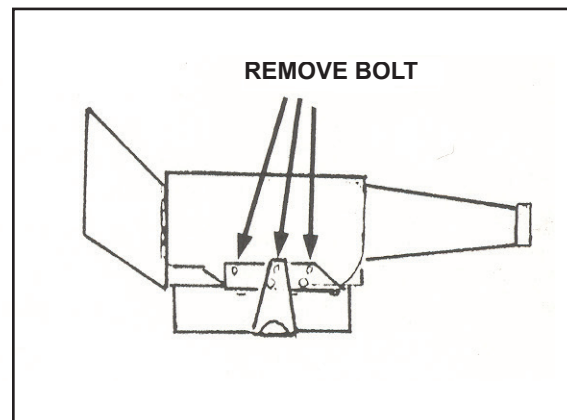


Figure 2