

ALUMINUM CLUTCH DRUM

Part Number: 207020

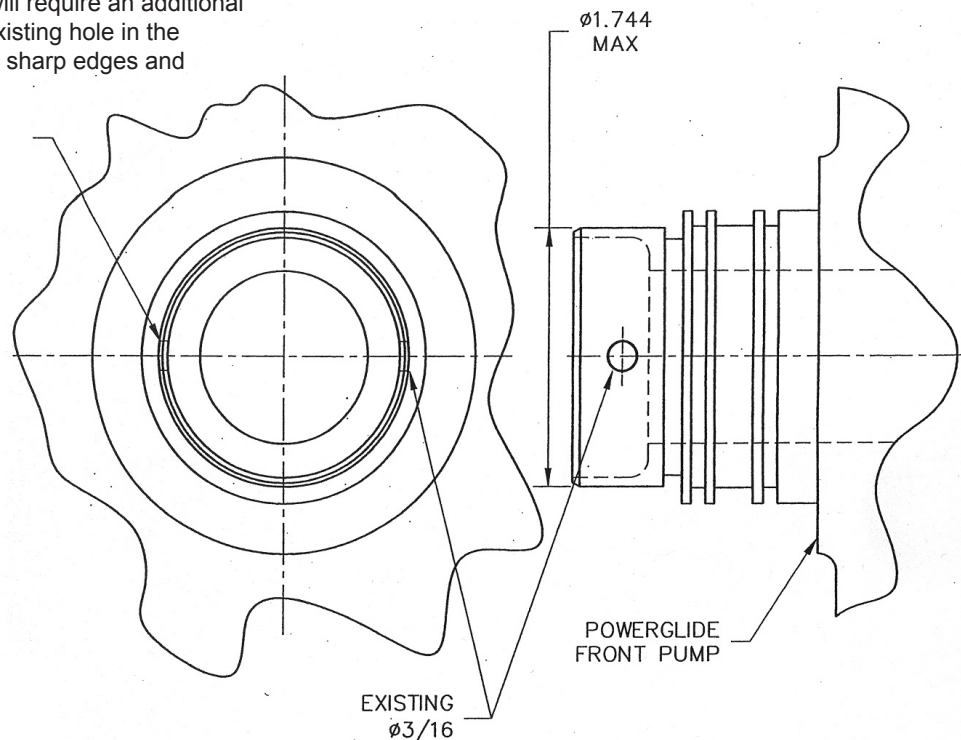
Packing List

	Clutch Drum
	Instruction Sheet

PACKED BY: _____

High RPM modification.

Engine RPM in excess of 8,000 RPM will require an additional 3/16 hole drilled directly opposite the existing hole in the aluminum clutch drum. Drill hole, break sharp edges and remove burrs.



Instructions:

Soak Band in transmission fluid for one (1) hour prior to installation.

Tighten band to 72 inch/lbs, then back out 5½ turns. If engine flares on gear change, tighten band ¼ turn until flaring is eliminated.

Acceptable transmission end play: .025 – .040