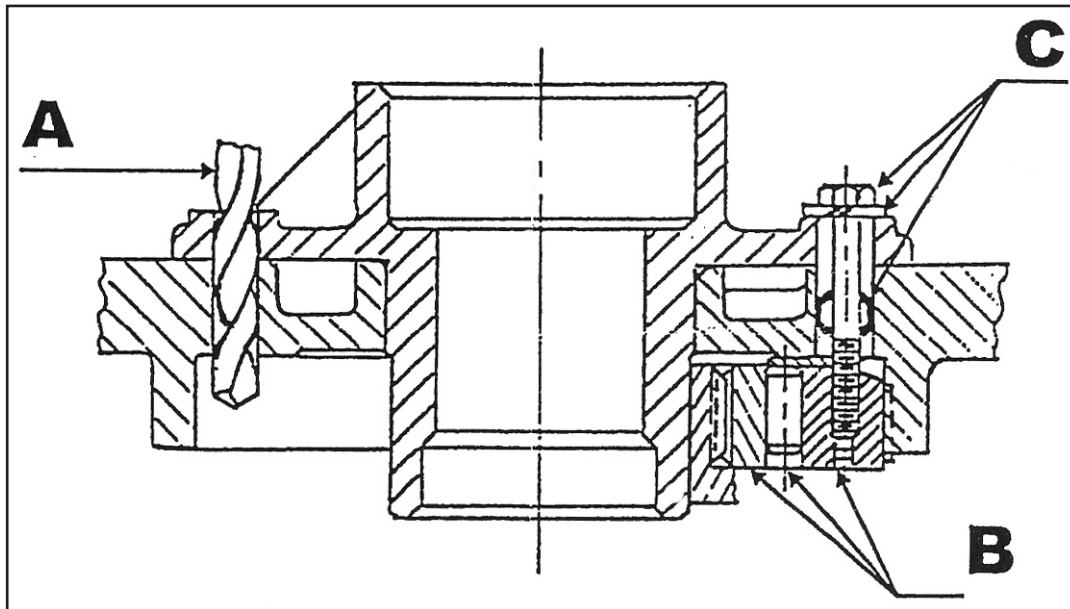


CASE REPAIR KIT

Part # 725315



1. Drill the four (4) rear support holes completely through the case to clear the new bolts, using a 11/32" drill. [A]
2. Assemble the new cam, inner race, rollers, springs and rear drum to center the new cam over the 4 holes. [B]
3. Apply Loctite™ to threads and install the 4 bolts with lock washers and brass ferrules to keep bolts centered. [C]
4. Tighten securely.