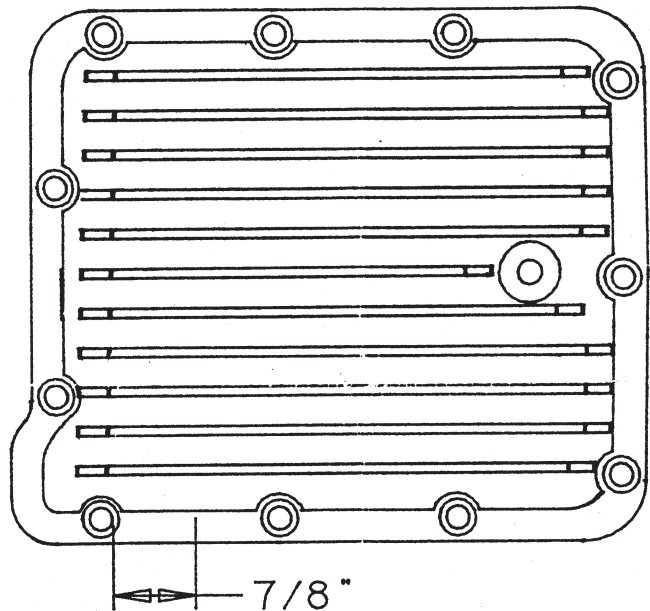


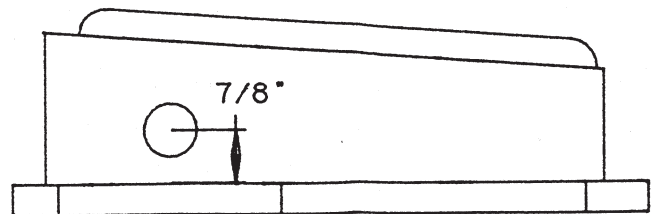
## Ford C-4 Pan Fill Conversion Kit

Part # 643501

1. Scribe a line on the bottom of the pan rail  $7/8$ " back from the edge of the bolt hole as shown below.



2. Measure  $7/8$ " from the bottom of the pan rail as shown. Where these two lines cross on the side of the pan marks the hole's center. Cut a  $13/16$ " hole for the brass fitting to go through.



3. Put a light coat of sealant on the threads of the brass fitting and tighten the nut to secure the fitting.